

OPERATION & SERVICE

Model 81 - 3 Column Vender

INSTALLATION

The vender can be wall mounted without disassembling any part of the unit. The vender weighs 110 lbs. so it essential that the Hanger Bracket (A) is mounted securely. Use heavy duty anchor or toggle bolts to secure the Hanger Bracket to brick, concrete or wood studs.

Two people should lift the vender to hang it on the mounted Hanger Bracket. The top edge of the Hanger Bracket will enter the open area at the back of the Cabinet (3). Open the Door (1) and note the two $\frac{3}{8}$ " round holes in the back of the Cabinet, 7" from the bottom. Mark the holes on the wall, remove vender, drill and install appropriate anchors. Re-hang the vender and insert fasteners in these $\frac{3}{8}$ " holes. These fasteners will secure the bottom of the Cabinet to the wall.

SECURITY FRAME INSTALLATION

Attach the Security Frame (B) to the Door (1) using the carriage bolts provided. Then attach the Side Bars (4) to the right side of the Cabinet. The round holes on the Side Bars will line up with round holes of the Security Frame when the Door closes. Two padlocks should be used to lock the Security Frame to the Side Bars: **Important:** Adjust the Side Bars so the Door closes tightly when locked.

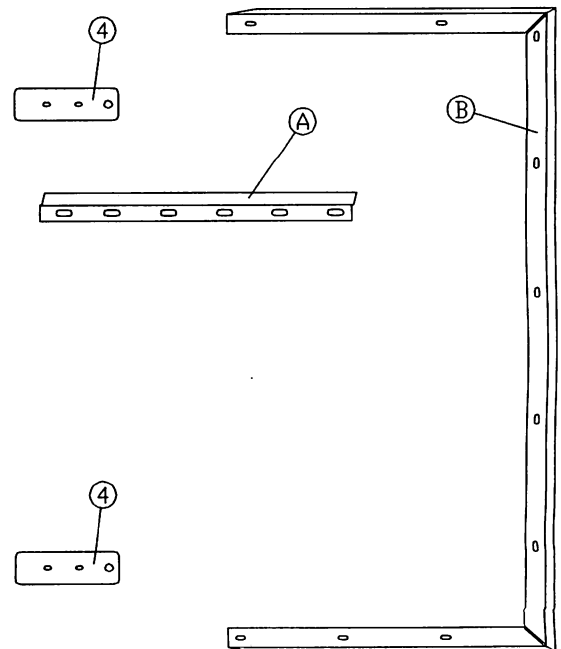
LOADING

The shelves can be easily and quickly reset into the vend position (horizontal) by running the index finger of your right hand up the right side of the shelves. This 'fanning' will take only seconds to reset all 24 shelves.

The top shelf in each Magazine Assembly (6) has an automatic empty device that will 'lock out' that particular Magazine when the last product vends. The customer can either choose another selection or push the coin return to retrieve their quarters. **Always** load from the top shelf down if the Column will not be fully loaded.

COIN MECHANISM

The Coin Mechanism (12) accepts U.S. quarters



NUMBER	DESCRIPTION	PART #
A	HANGER BRACKET	30-81
B	SECURITY FRAME	81-85
4	SIDE BAR (1)	2100-64

only and will be pre-set to vend at \$1.00 unless otherwise requested. Optional Coin Mechanisms: Canadian & U.S. quarters, Canadian Loon, 0.984” token & U.S. quarter, 0.984” token only, and some foreign coinage.

To change the vend price, remove the Coin Mechanism by taking out the two screws on its front flange. Tilt the top edge of the mechanism to the right to disengage the tongue of the Drive Plate (on the right upright) from the slot in the Ratchet Slide (19). Slide the mechanism toward you and remove it from the vender.

Note the price label on the Coin Gate (21). Remove the screw from the \$1.00 hole and place it in your desired location.

When replacing the Coin Mechanism, be sure to place the bottom rear edge of the mechanism in between the two riveted stacks of washers. **Important:** Make sure the tongue of the Drive Plate enters the slot in the Ratchet Slide.

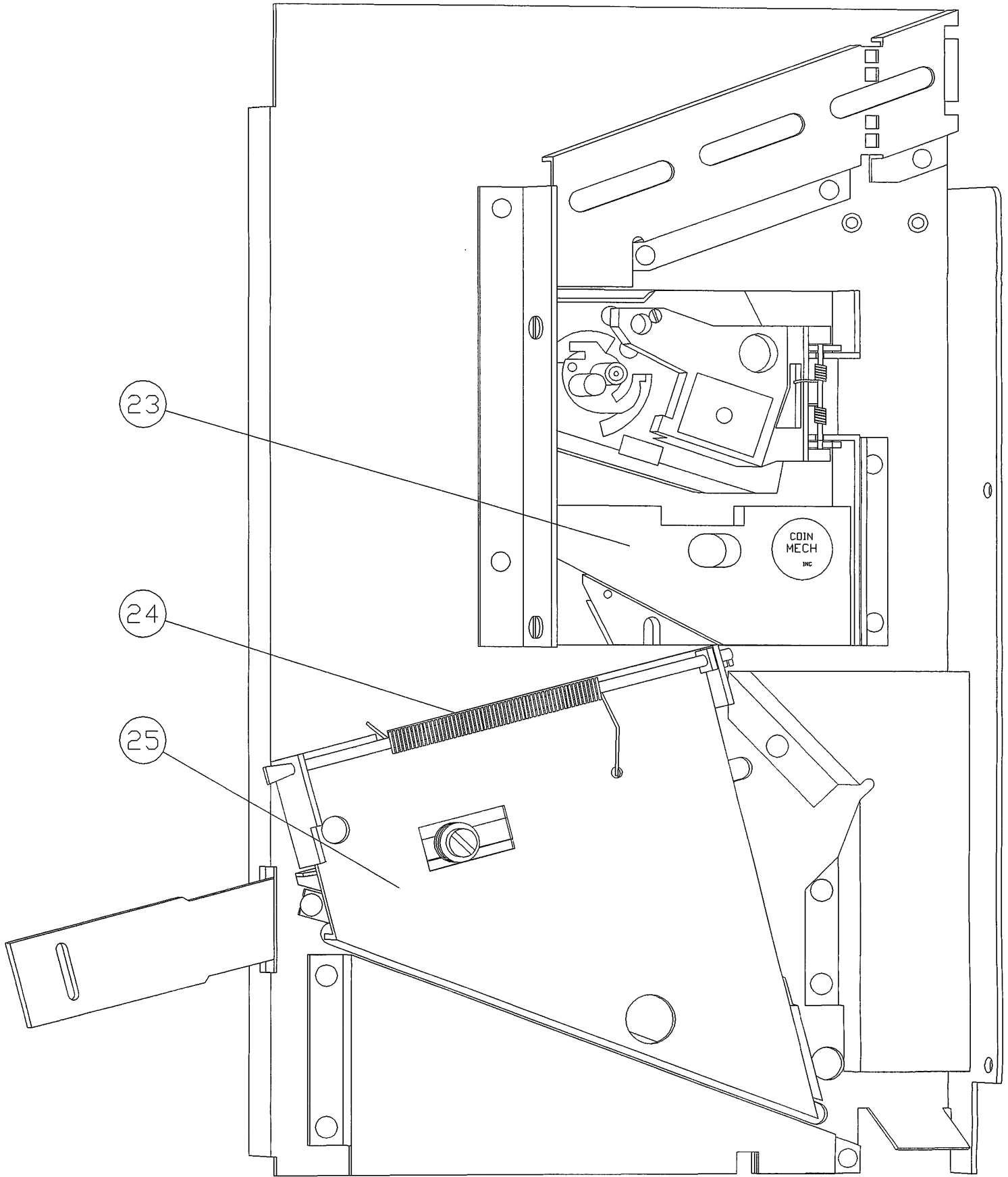
MAGAZINE REMOVAL

To remove any of the 3 Magazine Assemblies, first drop all the shelves in the Magazine and remove the 2 nuts at the top and the 1 screw at the bottom. The bottom screw is located just above the stainless steel Delivery Chute (8). Grasp the Magazine Assembly in the middle and move it slightly left to disengage the top 2 studs. Now lift it up to remove the bottom tab of the Magazine from the slot in the Vend Mechanism (11).

To remove the Vend Mechanism (after all 3 columns are out), take out the screw holding the left upright to the ‘hat-shaped’ bracket on the left inner side of the Cabinet. Also, remove the screw holding the Closure at the bottom left corner of the cabinet. Remove the Closure and the Coin Box Door (5) and slide the Vend Mechanism toward you.

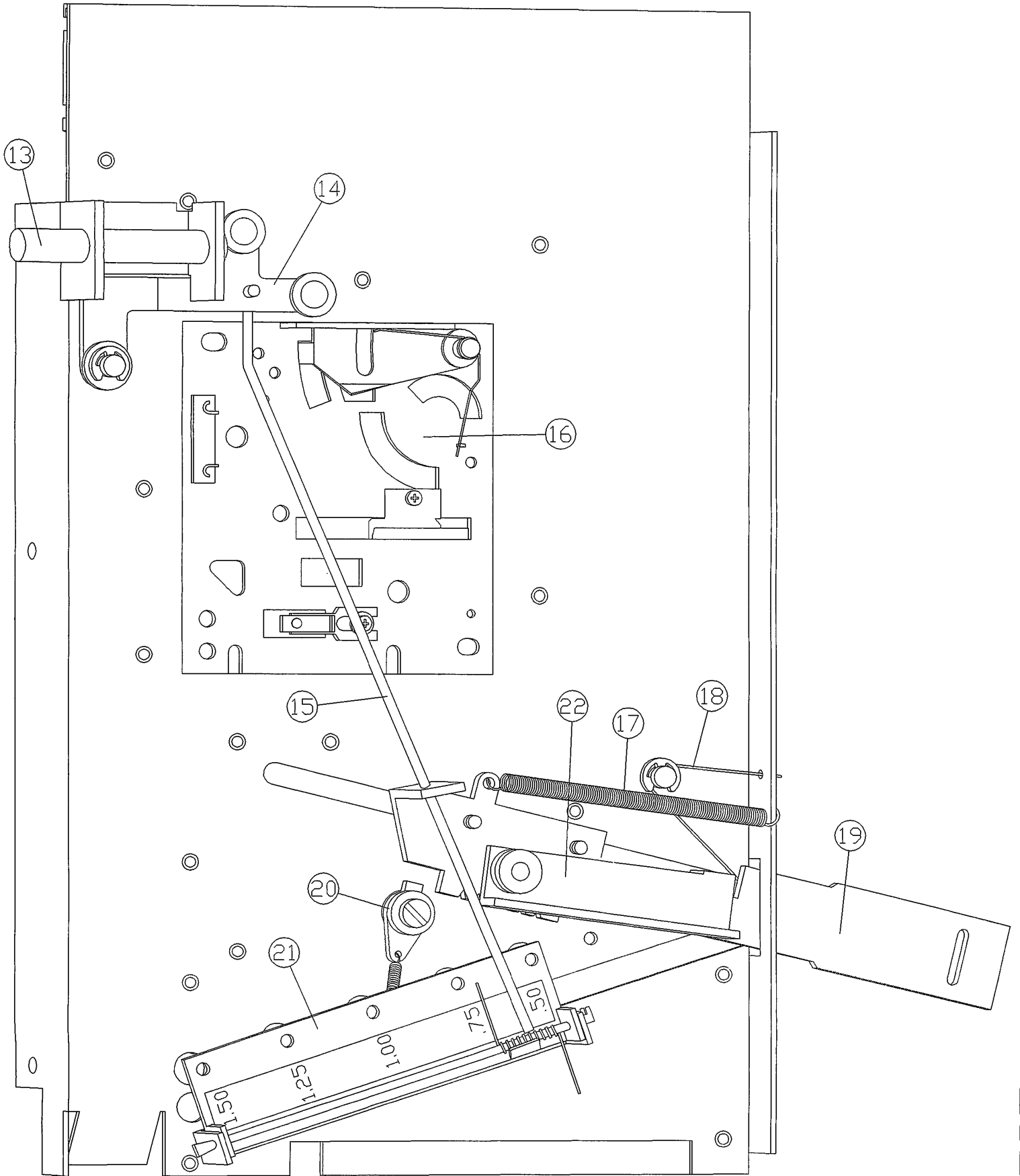
Revised: 4/03/2003

NUMBER	DESCRIPTION	PART #
23	SLUG REJECTOR	2100-29
24	SPRING - COIN PLATFORM	2100-111
25	COIN PLATFORM	30-53



NUMBER	DESCRIPTION	PART #
13	COIN RETURN ROD	2100-119
14	SCAVENGER LEVER	2100-114
15	LINK - COIN GATE	30-59
16	SLUG REJECTOR	2100-29
17	SPRING - RATCHET	2100-124

NUMBER	DESCRIPTION	PART #
18	SPRING - LOCK LEVER	95-67
19	RATCHET SLIDE	81-A48
20	RATCHET PAWL ASS'Y	2100-23
21	COIN GATE	30-56
22	LOCK LEVER	30-50



NUMBER	DESCRIPTION	PART #
1	DOOR ASSEMBLY	81-B72
2	SECURITY FRAME	81-85
3	CABINET	81-A65
4	SIDE BAR (1)	2100-64
5	COIN BOX DOOR	81-96
6	MAGAZINE ASSEMBLY	81-E1
7	MAIN SHAFT W/GEARS	81-25
8	DELIVERY CHUTE	81-23
9	KNOB W/SET SCREW	2100-32S
10	COIN BOX	81-A80
11	BASE ASSEMBLY	81-C18
12	COIN MECHANISM	81-D36

